

TOSHIBA MOSFET SPICE MODEL: TPC8014



- SPICE Model Parameter
- Transistor h_{FE} - I_C Characteristic
- $V_{CE(SAT)}$ Characteristic
- $V_{BE(SAT)}$ Characteristic
- Output Characteristic

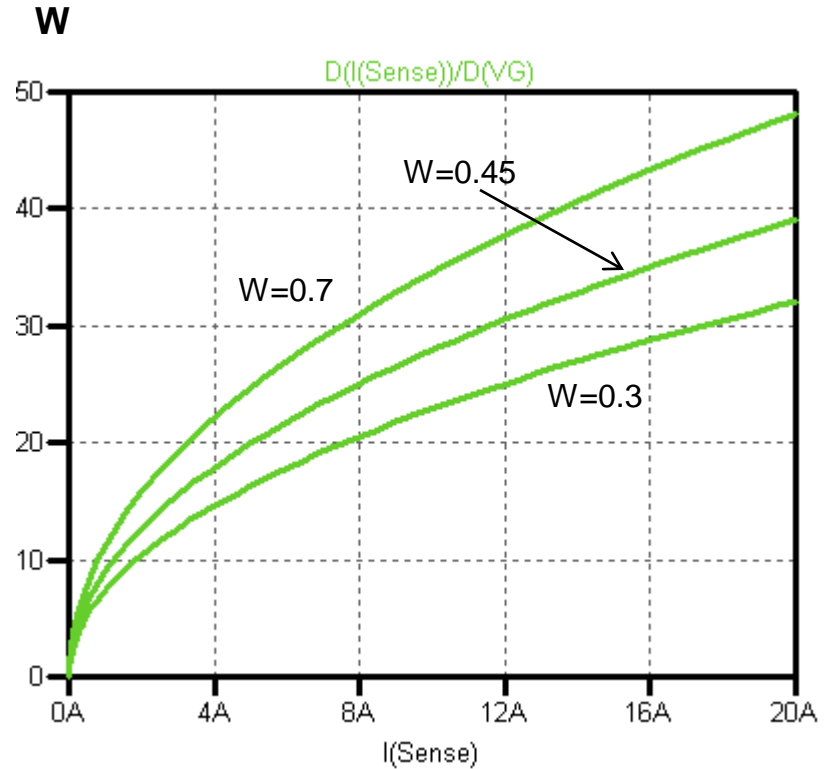
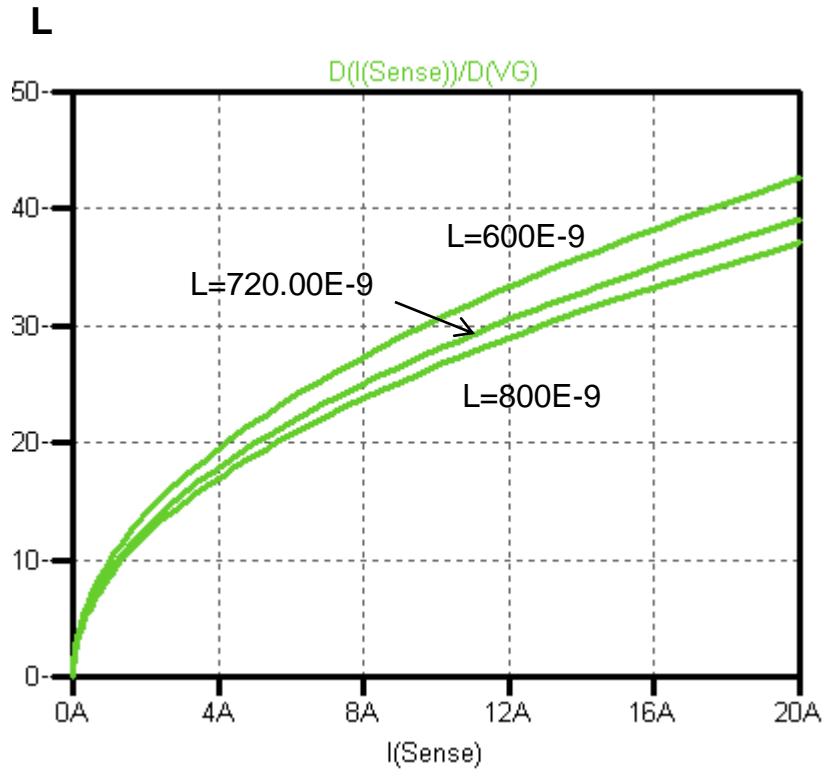
SPICE Model Parameter



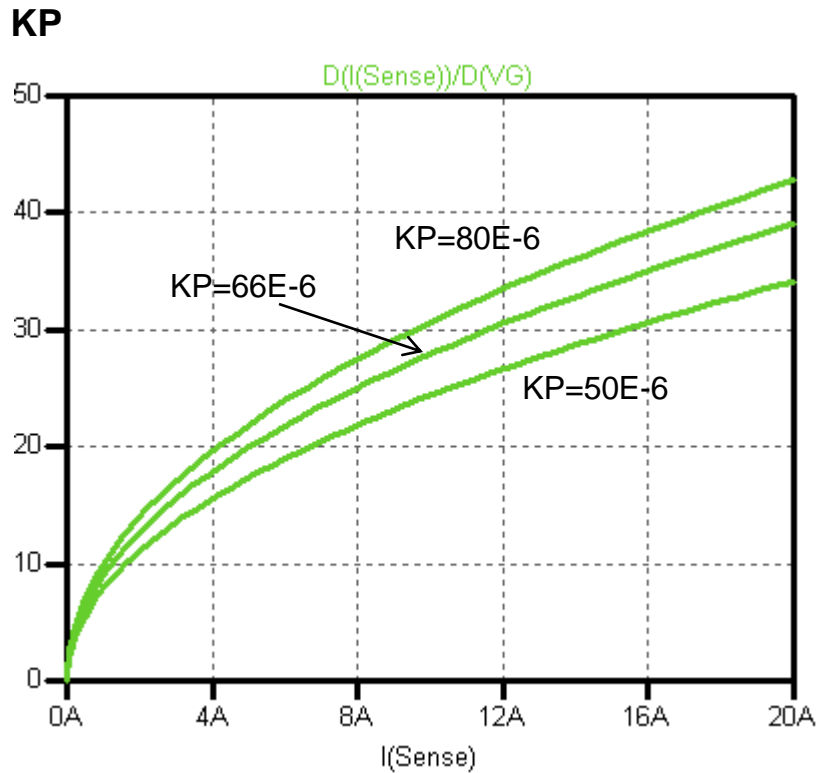
```
*$
*PART NUMBER: TPC8014
*MANUFACTURER: TOSHIBA
*VDSS=30V, ID=11A
*All Rights Reserved Copyright (c) Bee Technologies Inc. 2011
.SUBCKT TPC8014 1 2 3 4 5 6 7 8
M_M1 6 4 3 3 MTPC8014
X_U1 4 3 DZTPC8014
D_D1 3 6 DTPC8014
R_R1 1 3 0.01m
R_R2 2 3 0.01m
R_R5 5 6 0.01m
R_R7 7 6 0.01m
R_R8 8 6 0.01m
.MODEL MTPC8014 NMOS
+ LEVEL=3 L=720.00E-9 W=.45 KP=66.000E-6 RS=1.0000E-3
+ RD=6.8436E-3 VTO=2.3063 RDS=3.0000E6 TOX=40.000E-9
+ CGSO=2.0126E-9 CGDO=827.11E-12 RG=12.45
+ CBD=342.86E-12 MJ=.70573 PB=.3905
+ RB=1 N=5 IS=1E-15 GAMMA=0 KAPPA=0 ETA=0.5m
.MODEL DTPC8014 D
+ IS=824.87E-12 N=1.2770 RS=6.2420E-3 IKF=7.3139
+ CJO=3.0000E-12 BV=60 IBV=100.00E-6 TT=24.062E-9
.ENDS
*$
```

```
*$
.subckt DZTPC8014 1 2
D2 1 3 DZ2
D1 2 3 DZ1
.model DZ1 D
+ IS=0.01p N=0.1 ISR=0
+ CJO=3E-12 BV=22.423 IBV=0.001 RS=0
.model DZ2 D
+ IS=0.01p N=0.1 ISR=0
+ CJO=3E-12 BV=22.423 IBV=0.001 RS=411.11
.ENDS
*$
```

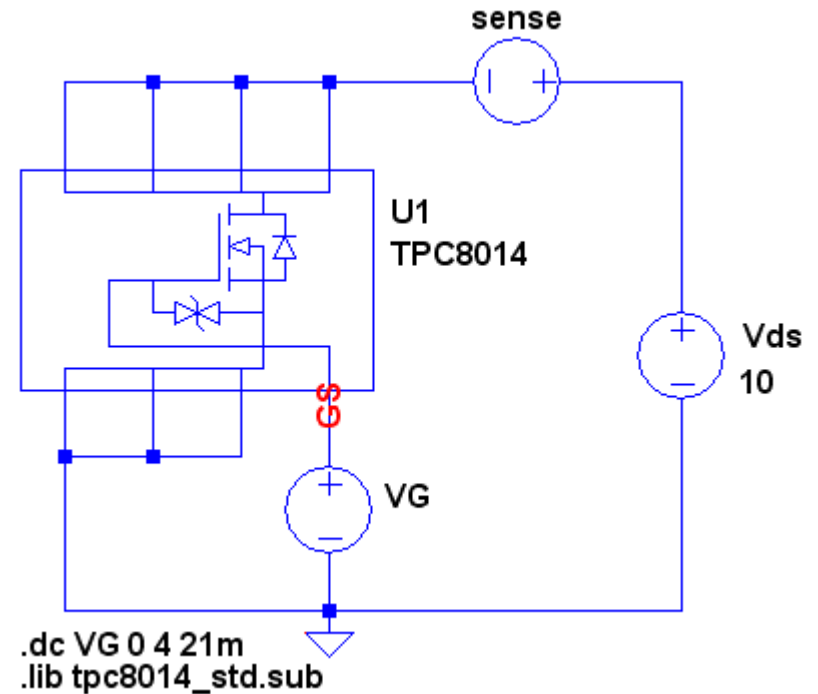
Transconductance Characteristics (1/2)



Transconductance Characteristics (2/2)

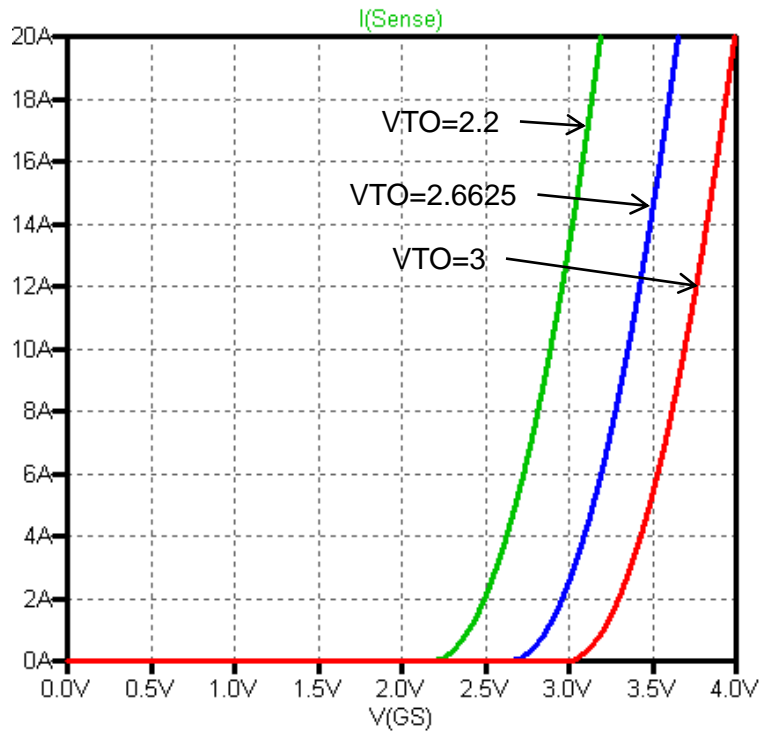


Evaluation Circuit

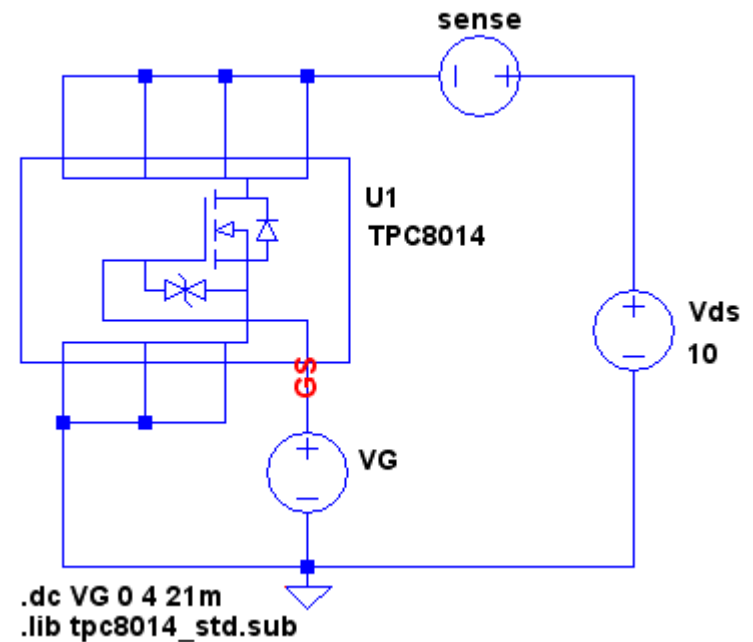


Vgs-Id Characteristics

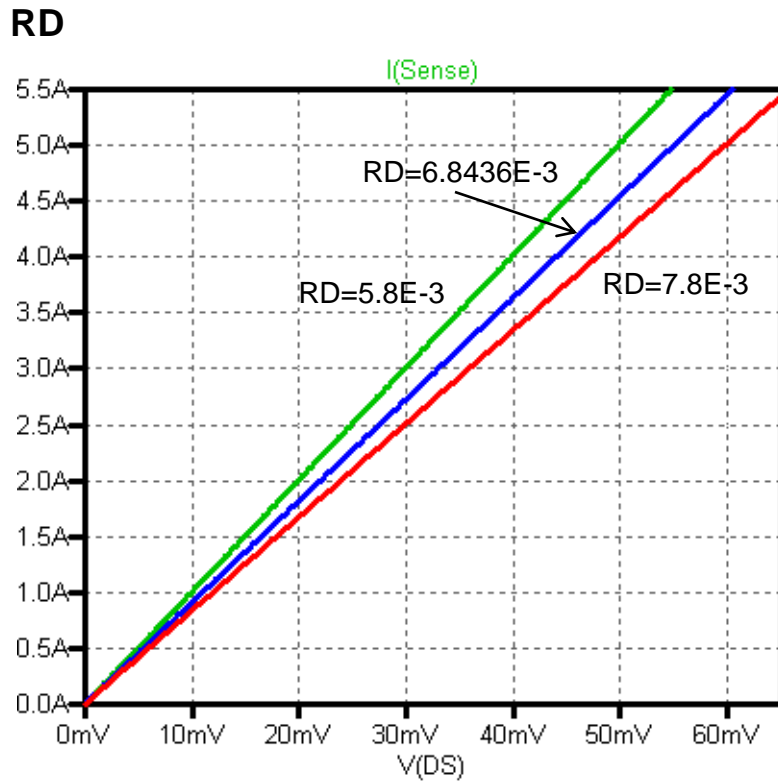
VTO



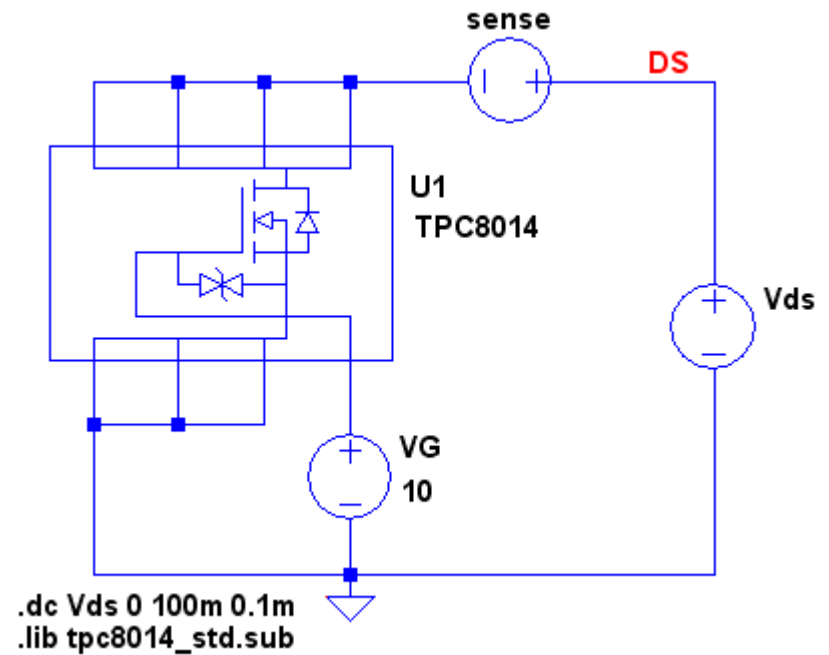
Evaluation Circuit



Rds(on) Characteristic



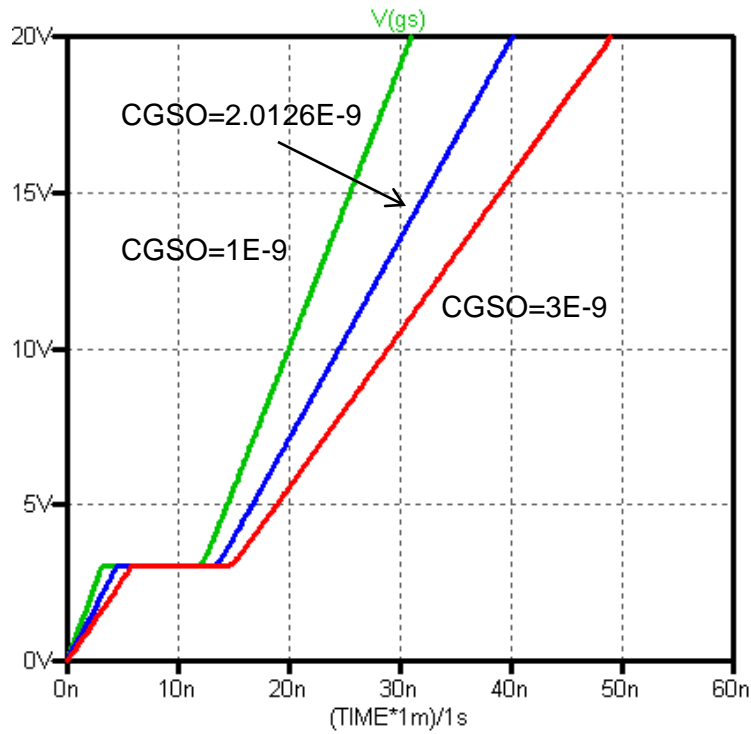
Evaluation Circuit



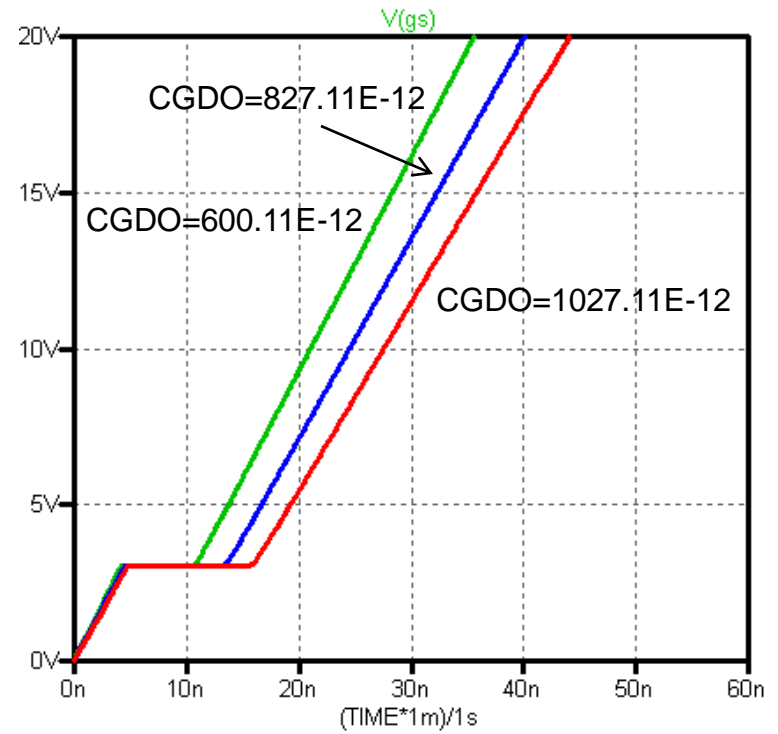
Gate Charge Characteristic (1/2)



CGSO

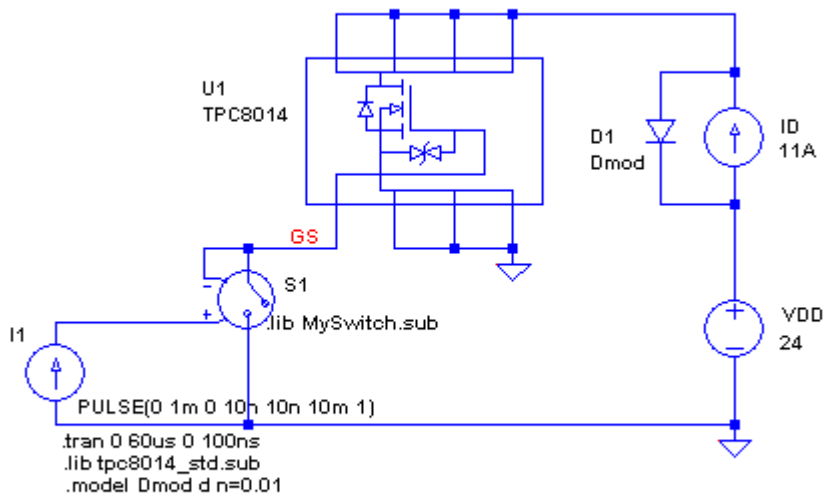


CGDO



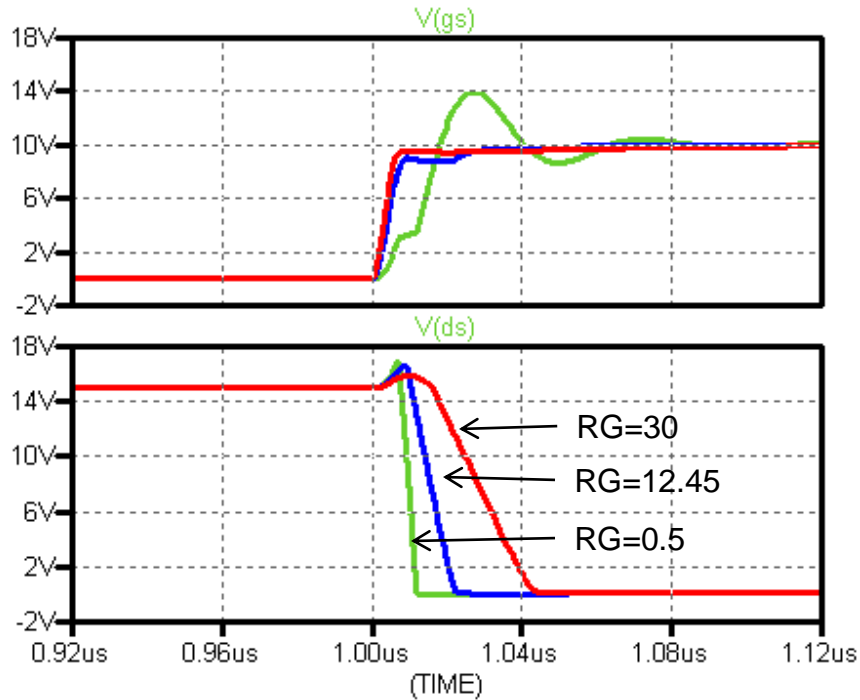
Gate Charge Characteristic (2/2)

Evaluation Circuit

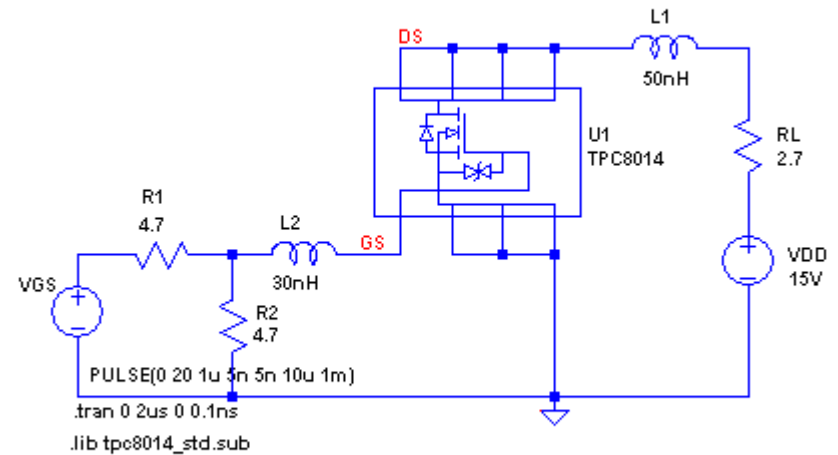


Switching Time Characteristic

RG

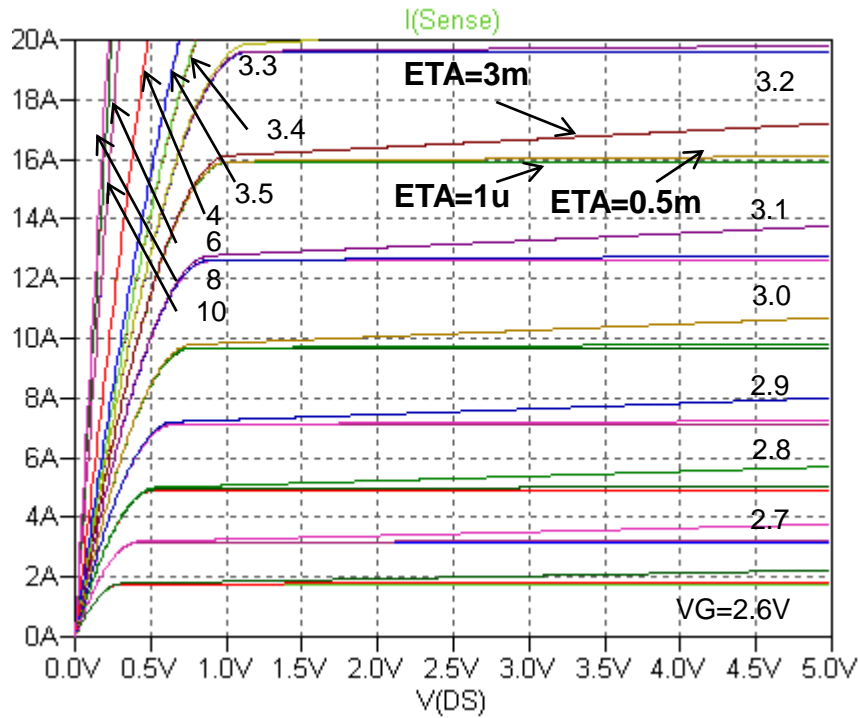


Evaluation Circuit

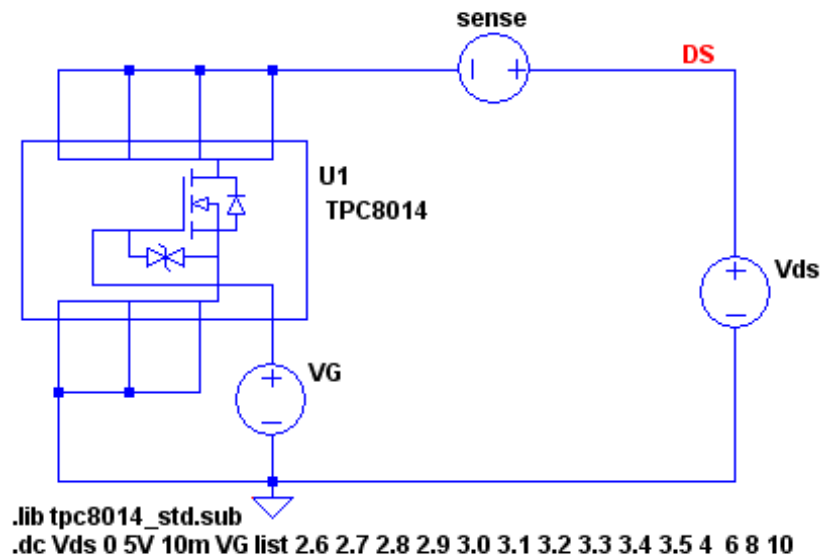


Output Characteristic

ETA

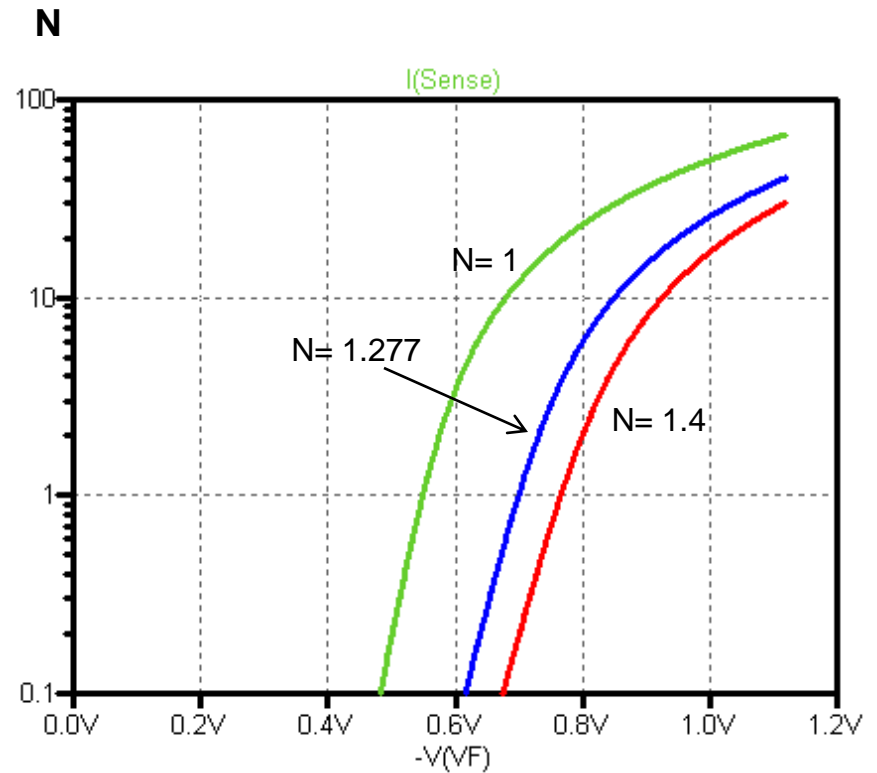
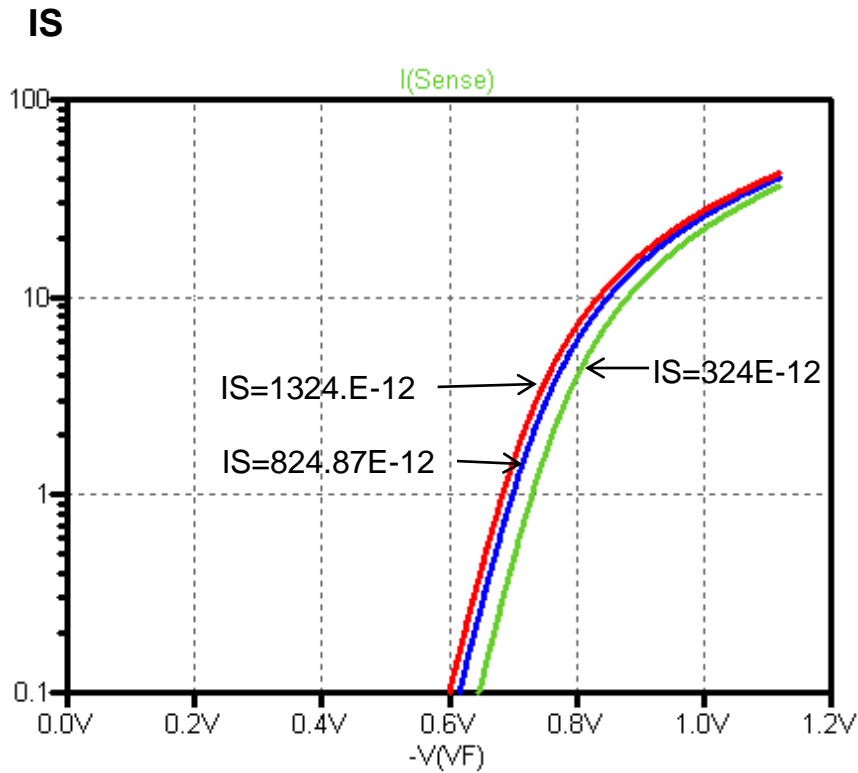


Evaluation Circuit



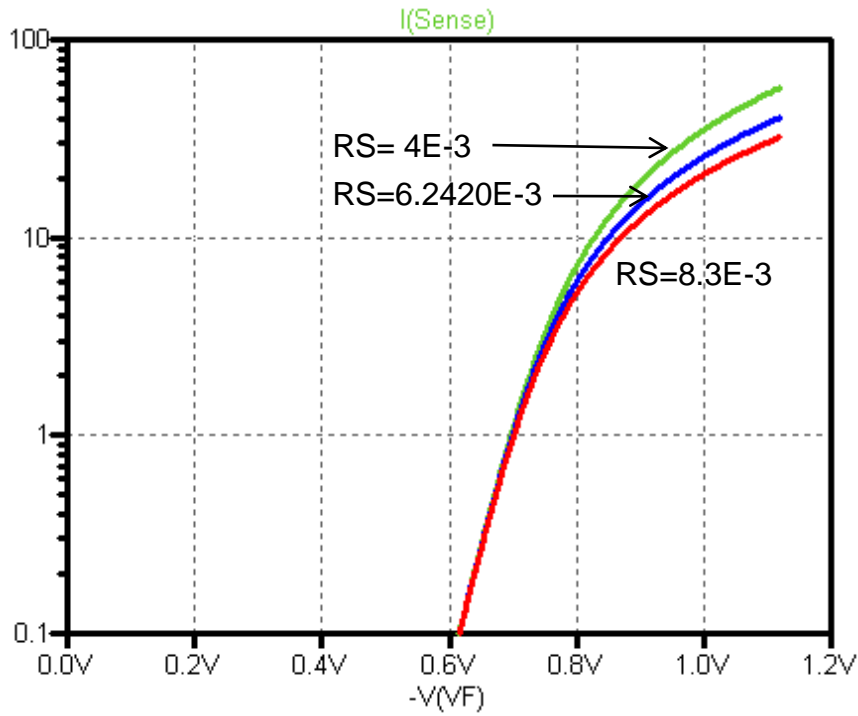
BODY DIODE SPICE MODEL

Forward Current Characteristic (1/3)

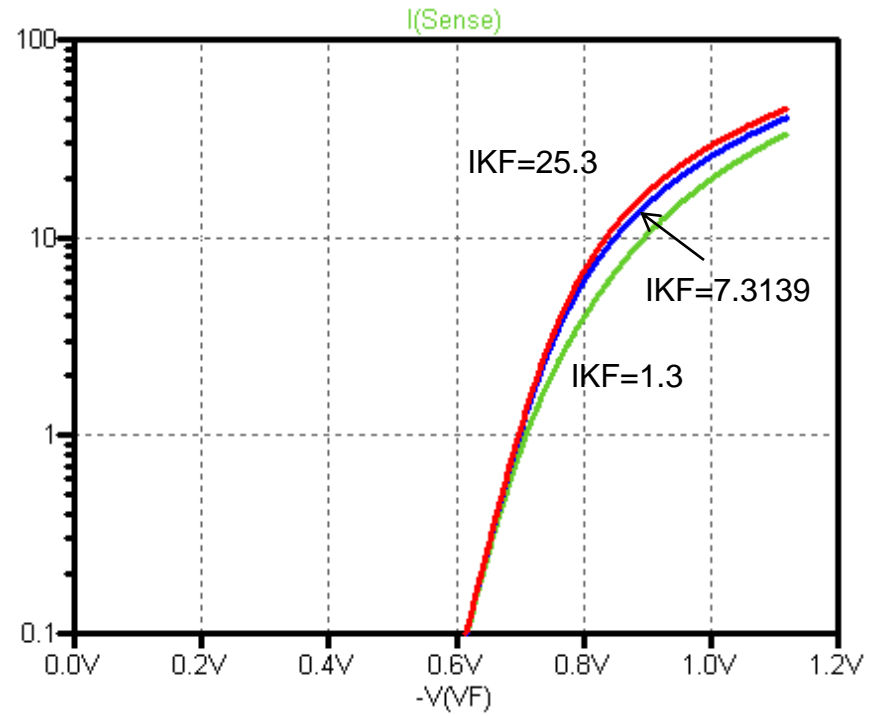


Forward Current Characteristic (2/3)

RS

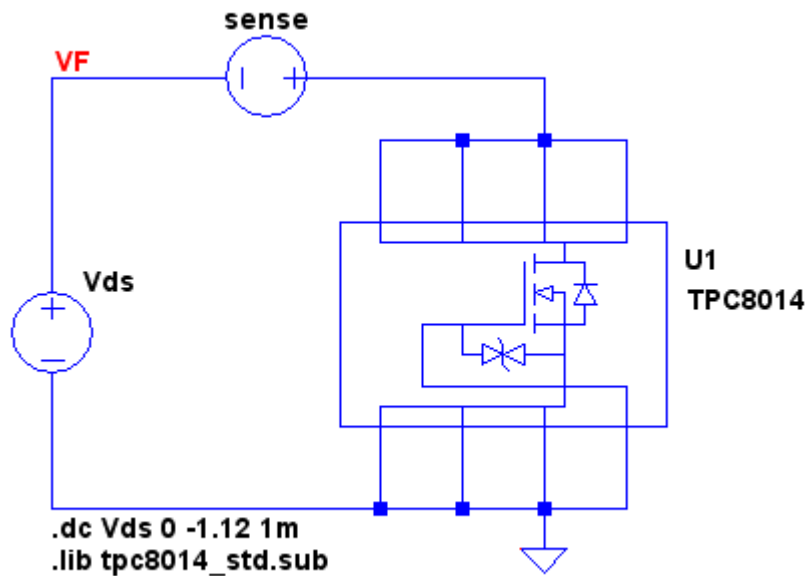


IKF



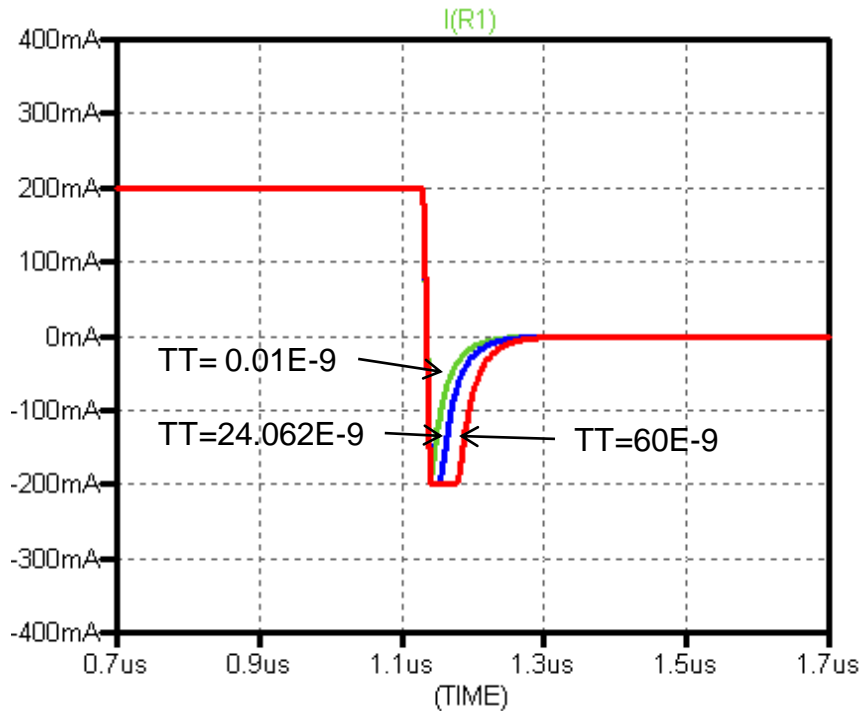
Forward Current Characteristic (3/3)

Evaluation Circuit

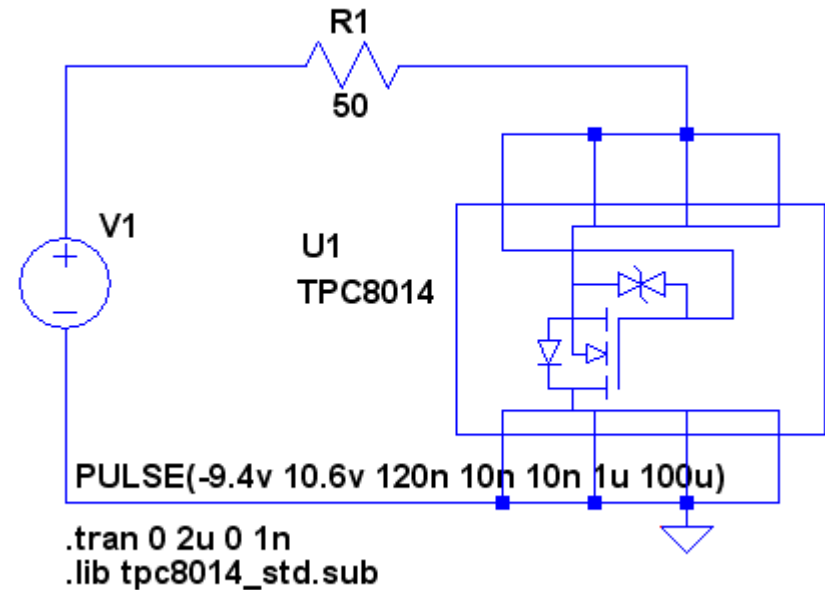


Reverse Recovery Characteristic

TT



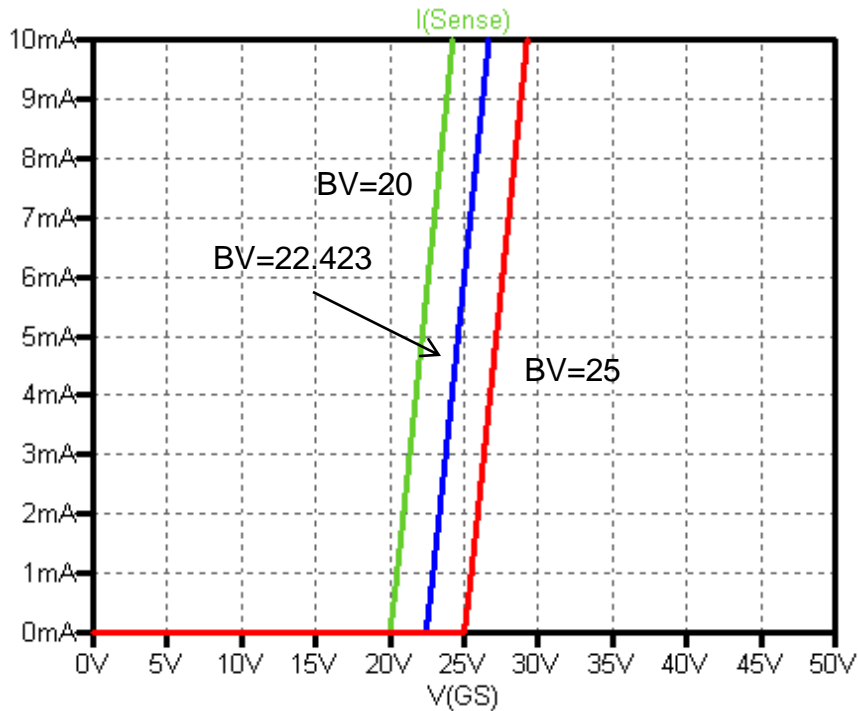
Evaluation Circuit



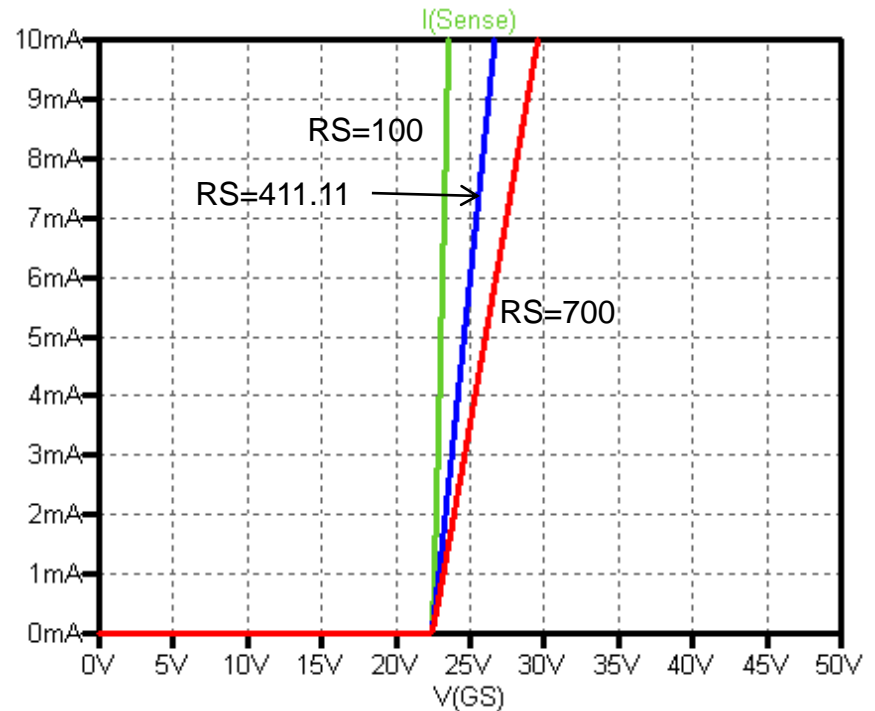
ESD PROTECTION DIODE

Zener Voltage Characteristic (1/2)

BV



RS



Zener Voltage Characteristic (1/2)

Evaluation Circuit

